

SEMI UNDERGROUND WASTE SYSTEMS

BAGIO

A BAG SYSTEM FOR
ALL APPLICATIONS



SPACE WONDERS

CREATIVELY FUNCTIONAL

VERSATILE ALL-ROUNDER

With its above-ground and underground volume, the BAGIO offers a capacity of up to 5 m³ and stands out with its discreet appearance and simple installation. The slim design makes the BAGIO a cost-effective alternative to conventional depot containers. They are easily recognizable as collection points and do not require additional security systems, as is the case with underground systems.

WASTE BECOMES INVISIBLE

The BAGIO systems are real space wonders. With a height of just under one meter, they are barrier-free and easy to reach for everyone. They not only keep unpleasant smells away from dwellings, thus improving quality of life, but they also free up space for green spaces, play areas or parking spaces. One BAGIO can replace up to five 1100 L containers.

COMPLIANT WITH STANDARDS

ESE always takes into account the entire logistics and application chain when designing products, including requirements for filling, emptying, handling, health and safety. The bags for the new system are compliant with ISO 21898 standards. BAGIO is certified according to the European standard EN 13071.

5 BAGIOs for different waste streams can replace 19 four-wheel 1100L containers:



THE DIFFERENT VERSIONS

Diameter

L

M

S



Double Drum



Mini Lid (one or two apertures)



Mini Lid (one aperture)



Mini Lid (one aperture)

Short



BAGIO L short 3,0 m³



BAGIO M short 1,8 m³



BAGIO S short 0,9 m³

Long



BAGIO L long 5,0 m³



BAGIO M long 3,0 m³



BAGIO S long 1,2 m³

SAFETY

IN EVERY APPLICATION

DESCRIPTION OF THE SYSTEM

Waste is disposed via an easy-to-access aperture and stored in the partially-underground system. Access control systems are available to prevent unauthorized access. To empty, the lid and liner are lifted from the plastic outer container and positioned above the collection vehicle. A special mechanism allows the bag to be opened and closed again after emptying.

THE BAG SYSTEM

The recyclable 2-layer bag is made from woven polypropylene. The outer layer is stabilizing and supports the weight. The inner layer protects the outer bag from dirt and damage. Depending on the waste fraction (e.g. glass), we recommend using a reinforced bag.

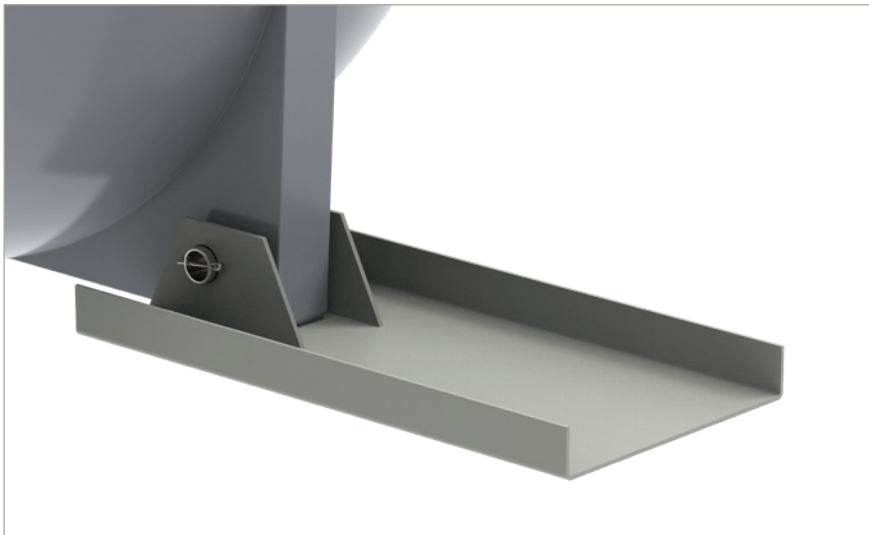
EMPTYING MECHANISM

The lower end of the bag is closed with a rope mechanism. When emptying above the collection vehicle, a mechanism is deactivated by pulling the rope and the bag opens. After emptying, the bag is pulled closed and the mechanism reactivates. With an above-ground height of 900 mm, there is no risk of falling into the container. In addition, the system is protected from the penetration of groundwater and rainwater.

THE OUTER BODY

The lid and container are manufactured using a rotational molding process. The robust upper edge of the container supports the emptying system consisting of the lid, crane pick-up and bag system. The lid protects against rainwater and it simplifies the reinsertion of the waste and recyclables unit after emptying.





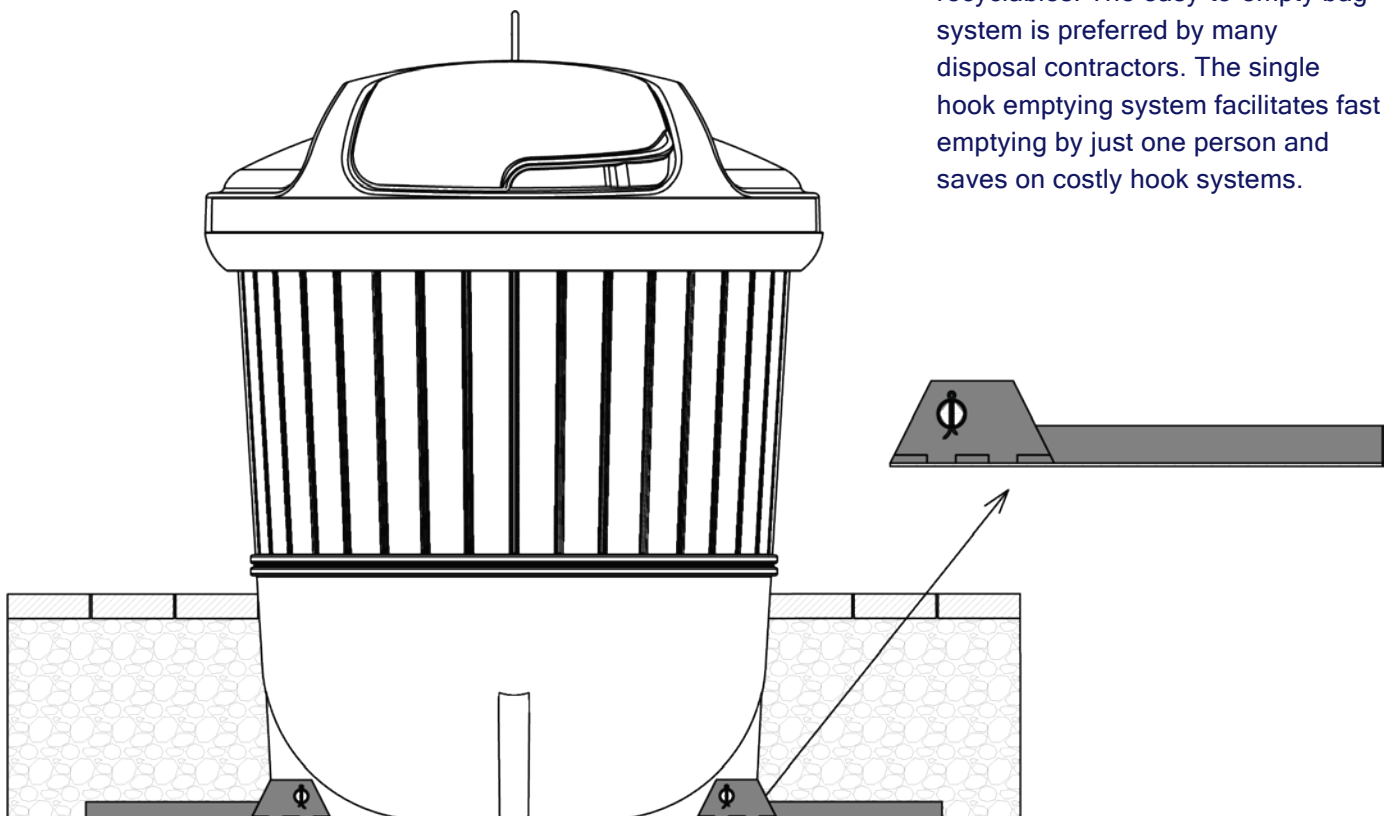
FLEXIBILITY OF TWO INSTALLATION DEPTHS

What started as an economical semi-underground system variant for motorway rest-areas or public open spaces is now well-established in housing estates too, due to its wide range of capacities and models. The lower installation depth of 500-600 mm in the short version is easier to install in zones with existing ducts and drainage systems. The deeper installation depth of 1750 mm offers a lot of space for waste in high traffic areas.

ANCHORING SYSTEM

The BAGIO systems come complete with anchor plates. They effectively protect the system against the effects of groundwater ingress.

The functional and user-friendly apertures at an accessible height for persons with reduced mobility facilitate the removal of waste and recyclables. The easy-to-empty bag system is preferred by many disposal contractors. The single hook emptying system facilitates fast emptying by just one person and saves on costly hook systems.



UNDERGROUND

FASHION STYLES

BEAUTIFUL WITHOUT DISGUISE!

With the panel-design surface structure, the BAGIO looks good even without cladding. They can be customized thanks to different external cladding options, including plastic planks in different wood designs, complete cladding with aluminum sheeting, a photo print or an advertising banner (see picture below).



RAL 7040 Light Grey



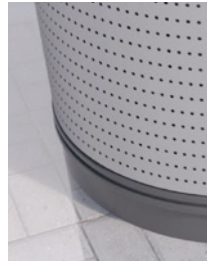
RAL 7016 Anthracite
Standard color



RAL 7021 Dark Grey



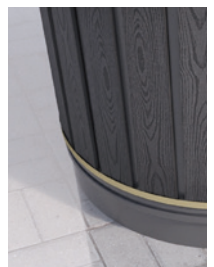
Without decoration



Aluminium



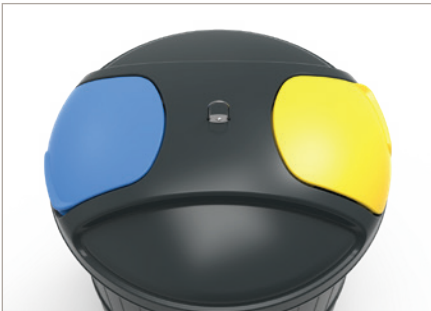
Wood look



Wood look in
different colors



There are no limits to your creativity. Modern banner technology adapts to any environment.



THE BIG ONE WITH TWO SMALL ONES

The BAGIO L version is also available with a double chamber with two bags inside or with only double-sided lids. The latter makes accessibility easier in heavily frequented zones and utilizes the entire bag capacity. All lids may be fitted with locks.

BIO BAGIO INNER CONTAINER

Special requirements have to be met for bio-waste collection. To avoid liquid accumulation at the bottom of the container, an inner container with a bottom flap is used instead of a bag system.



DOUBLE DRUM

The BAGIO L version can be fitted with a double stainless-steel drum. This makes it possible to equip it with all standard access control and access restriction systems, making it an excellent collection point solution in residential areas.



COMPREHENSIVE STANDARD

- Lightweight and robust owing to the rotational molding process
- Recyclable HDPE with high UV resistance
- Thanks to a stable design, no additional body reinforcement is required
- Double-layer bag system for high stability
- Woven polypropylene bags
- Very long product life with low maintenance costs



Lock variant

SELECTION OF OPTIONS

- Various recycling inserts
- Bespoke decorations
- Bag materials: standard, glass, fire-resistant
- Several locking systems
- IRDC system (access control system)
- Level measurement system
- Four-point system for emptying
- BIO inner container

ESE - WE VALUE YOUR RECYCLABLES



KERBSIDE SYSTEMS
MOBILE CONTAINERS FOR
WASTE AND RECYCLABLES



BRING SYSTEMS
(SEMI-) UNDERGROUND SYSTEMS
COLLECTION BANKS



BIO SELECT LINE
CONTAINERS AND COMPOSTERS
FOR GARDEN AND BIO WASTE



HAZARDOUS WASTE CONTAINERS
MOBILE FUEL CONTAINERS
MOBILE OIL CHANGE UNITS



PUBLIC FURNISHING
BINS FOR THE PUBLIC SPACE



CONTAINER MANAGEMENT
DISTRIBUTION, REGISTRATION,
COLLECTION AND RECYCLING

ESE is Europe's leading manufacturer of temporary storage solutions for waste and recyclables. Our comprehensive range of products is complemented by a full service offer from container management to the recycling of products at the end of their lifetime. Specialists in all departments develop solutions to meet our customers' requirements. In doing so, we follow the principle of highest possible sustainability from product development and production to transport.